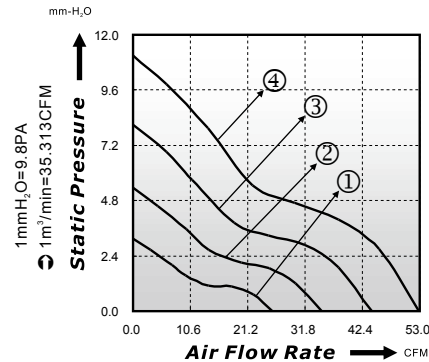


70x70x20mm

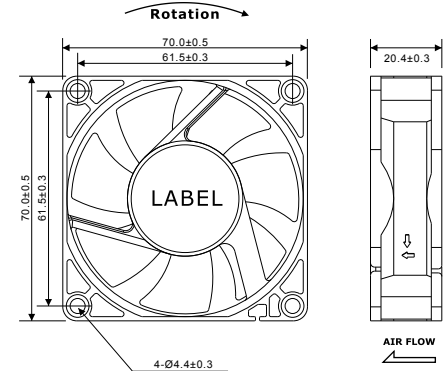


■ P-Q Curve (At Rated Voltage)



■ Dimensions Drawing

Unit: (mm)



Model No	Bearing (*)	Rated Voltage (VDC)	Rated Current (A)	Power Consumption (Watts)	Speed (rpm)	Air Flow (CFM)	Static Pressure (mmH ₂ O)	Noise (dBA)	Curve
ED07020-12L*	○ ● ⊖	12	0.16	1.92	3000	25.80	3.13	28.3	1
ED07020-12M*	○ ● ⊖	12	0.25	3.00	4000	34.96	5.36	35.9	2
ED07020-12H*	○ ● ⊖	12	0.40	4.80	5000	44.12	8.10	42.3	3
ED07020-12HH*	○ ● ⊖	12	0.52	6.24	6000	52.89	11.09	45.5	4

* Bearing Type: ○ Sleeve ● Two Ball ⊖ Hydro-Dynamic